

Data sheet

ALPHA II



Technical data

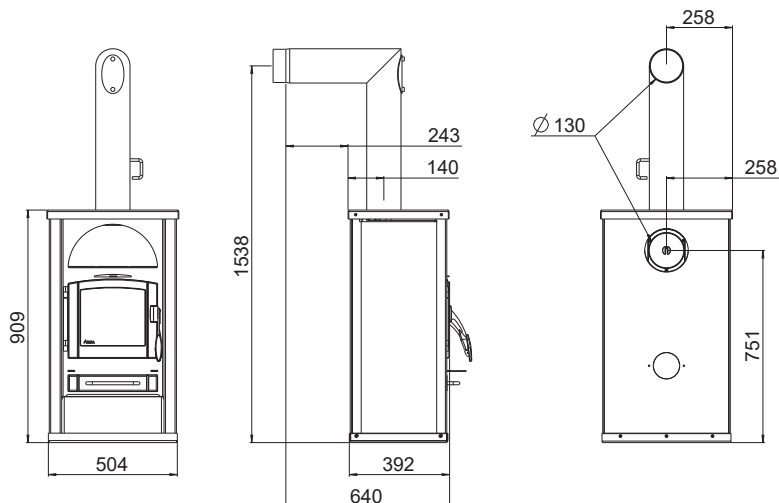
Heating power range	[kW]	3,5 - 7
Nominal heat output	[kW]	7
Room heating capacity (depending on house insulation)	[m ³]	70 - 190
Fuel consumption	[kg/h]	1,8
Efficiency	[%]	80,7
Energy efficiency class		A+
Chimney draft requirement	[Pa]	12

Characteristics



Energy Efficiency

Chimney connection



Dimensions

Height	[mm]	909
Width	[mm]	504
Corpus depth	[mm]	392

Weight

Weight with steelshell	[kg]	~115
Weight with stones	[kg]	~155

Flue pipe connection

Flue pipe outlet	[mm]	130
Original angle pipe connection height	[mm]	1538
Original angle pipe total depth	[mm]	640
Original angle pipe distance to rear wall	[mm]	243
Deapth from rear wall to middle of flue pipe	[mm]	140
Original angle pipe side distance	[mm]	258
Rear connection height	[mm]	751
Rear connection side distance	[mm]	258

Safety distances

Note

1. To non-combustible objects
a > 40 cm b > 10 cm
2. To combustible objects and reinforced concrete load-bearing walls
a > 80 cm b > 20 cm

