

Data sheet

BACK



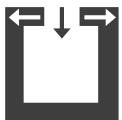
Technical data

Nominal heat output	[kW]	8
Partial heat output	[kW]	4
Room heating capacity (depending on house insulation)	[m ³]	90 - 210
Fuel consumption	[kg/h]	1,1 - 2,2
Efficiency	[%]	83,9
Energy efficiency class		A+
Chimney draft requirement	[Pa]	12

Characteristics



Baking compartment



Balanced flue

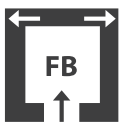


RLS system



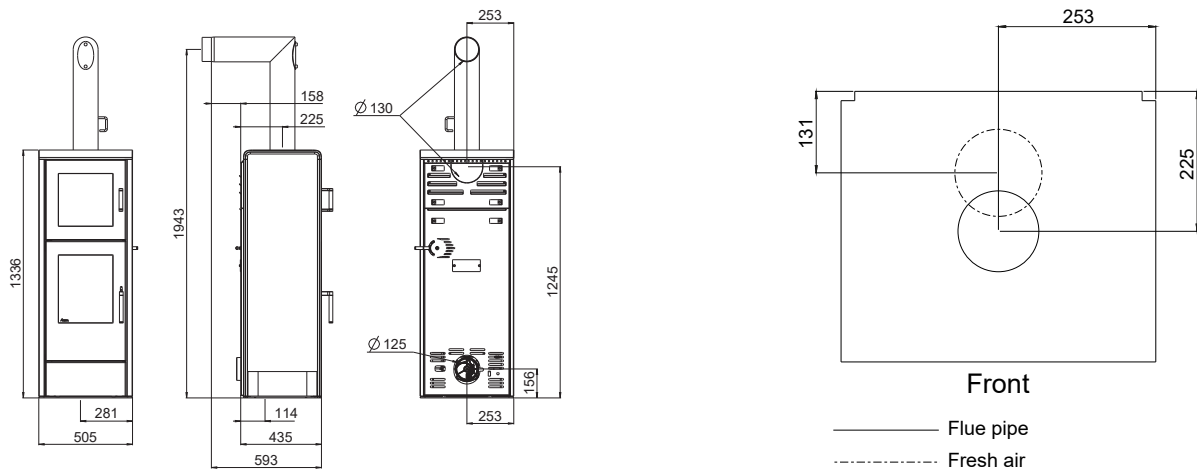
Energy efficiency

Accessories



Fresh air floor connection

Chimney connection



Dimensions

Height	[mm]	1336
Width	[mm]	505
Corpus depth	[mm]	435

Weight

Weight with steelpanel or ceramic decor	[kg]	~180
---	------	------

Flue pipe connection

Flue pipe outlet	[mm]	130
Original angle pipe connection height	[mm]	1943
Original angle pipe total depth	[mm]	593
ROOriginal angle pipe distance to rear wall	[mm]	158
Deapth from rear wall to middle of flue pipe	[mm]	225
Original angle pipe side distance	[mm]	253
Rear connection height	[mm]	1245
Rear connection side distance	[mm]	253

Fresh air connection

Diameter	[mm]	125
Connection height	[mm]	156
Side distance	[mm]	253
Floor connection side distance	[mm]	253
Floor connection depth	[mm]	114

Oven

Height	[mm]	300
Width	[mm]	330
Depth	[mm]	340
Slide-in width of baking tray	[mm]	308
Depth of baking tray	[mm]	336
Slide-in width of cooking grate	[mm]	316
Depth of cooking grate	[mm]	302

Safety distances

Note

- To non-combustible objects
a > 40 cm b > 10 cm
- To combustible objects and reinforced concrete load-bearing walls
a > 80 cm b > 10 cm

