

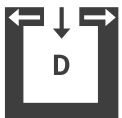
# CONNECT WOOD



## Technical data

Nominal heat output	[kW]	8
Partial heat output	[kW]	4
Room heating capacity (depending on house insulation)	[m <sup>3</sup> ]	90-210
Fuel consumption	[kg/h]	1,1-2,2
Efficiency	[%]	≥ 80
Energy efficiency class		A+
Energy efficiency index		n.A.
Chimney draft requirement	[Pa]	12

## Characteristics



Balanced flue

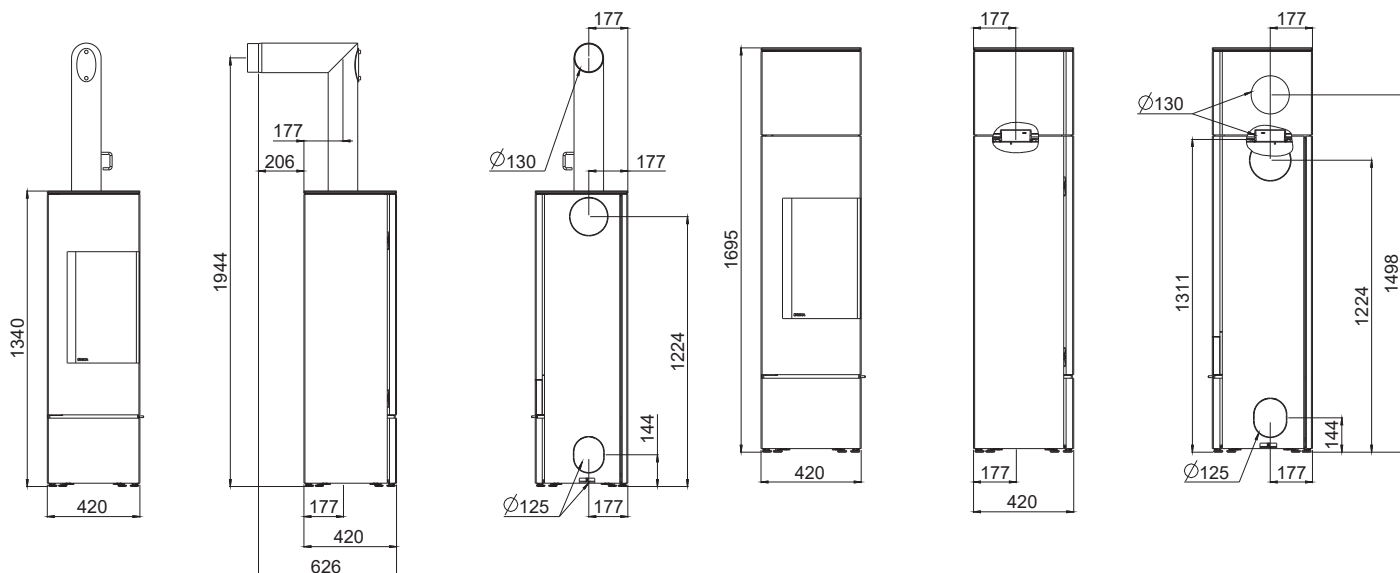


RLS system



Energy efficiency

## Chimney connection



### Dimensions

Height	[mm]	1340 / 1695
Width	[mm]	420
Corpus depth	[mm]	420

### Weight

Weight with steelshell	[kg]	158
------------------------	------	-----

### Flue pipe connection

Flue pipe outlet	[mm]	130
Original angle pipe connection height	[mm]	1944
Original angle pipe total depth	[mm]	626
Original angle pipe distance to rear wall	[mm]	206
Depth from rear wall to middle of flue pipe	[mm]	177
Original angle pipe side distance	[mm]	177
Rear connection height	[mm]	1224 / 1498
Rear connection side distance	[mm]	177

### Fresh air connection

Diameter	[mm]	125
Connection height	[mm]	144
Side distance	[mm]	177

## Safety distances

### Note

- To non-combustible objects  
a > 40 cm b > 7 cm
- To combustible objects and reinforced concrete load-bearing walls  
a > 80 cm b > 7 cm

