

COOK



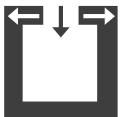
Technical data

Heating power range	[kW]	3 - 6
Nominal heat output	[kW]	6
Room heating capacity (depending on house insulation)	[m ³]	70-160
Fuel consumption	[kg/h]	0,9-1,7
Efficiency	[%]	84
Energy efficiency class		A+
Energy efficiency index		112,8
Chimney draft requirement	[Pa]	12

Characteristics



Ceramic hob



Balanced flue

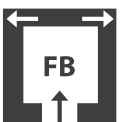


RLS system



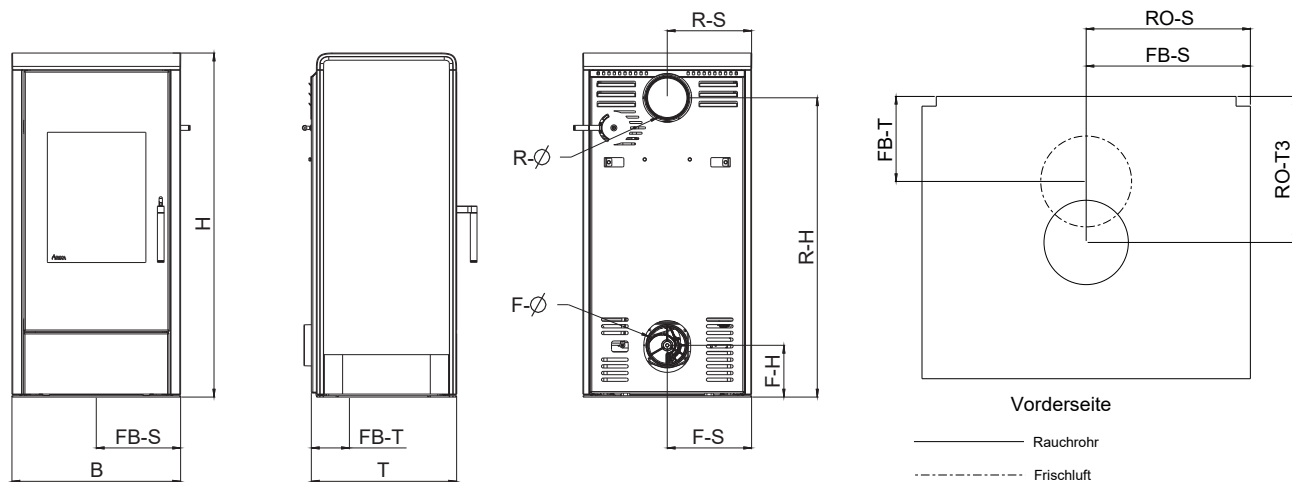
Energy efficiency

Accessories



Fresh air floor connection

Chimney connection



Dimensions

H - Height	[mm]	1030
B - Width	[mm]	505
T - Corpus depth	[mm]	435

Weight

Weight with steelpanel or ceramic decor	[kg]	~135
---	------	------

Flue pipe connection

R - Ø Flue pipe outlet	[mm]	130
RO - H Original angle pipe connection height	[cm]	-
RO - T1 Original angle pipe total depth	[cm]	-
RO - T2 Original angle pipe distance to rear wall	[cm]	-
RO - T3 Deapth from rear wall to middle of flue pipe	[cm]	-
RO - S Original angle pipe side distance	[cm]	-
R - H Rear connection height	[cm]	90
R - S Rear connection side distance	[cm]	25

Fresh air connection

F - Ø Diameter	[mm]	125
F - H Connection height	[cm]	16
F - S Side distance	[cm]	25
FB - S Floor connection side distance	[cm]	25
FB - T Floor connection depth	[cm]	13

Safety distances

Note

- To non-combustible objects
a > 40 cm b > 10 cm
- To combustibile objects and reinforced concrete load-bearing walls
a > 80 cm b > 10 cm

