

Data sheet

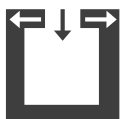
FORMA



Technical data

Nominal heat output	[kW]	7
Partial heat output	[kW]	3,5
Room heating capacity (depending on house insulation)	[m ³]	70 - 190
Fuel consumption	[kg/h]	0,9 - 1,7
Efficiency	[%]	80,3
Energy efficiency class		A+
Chimney draft requirement	[Pa]	12

Characteristics



Balanced flue

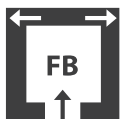


RLS system



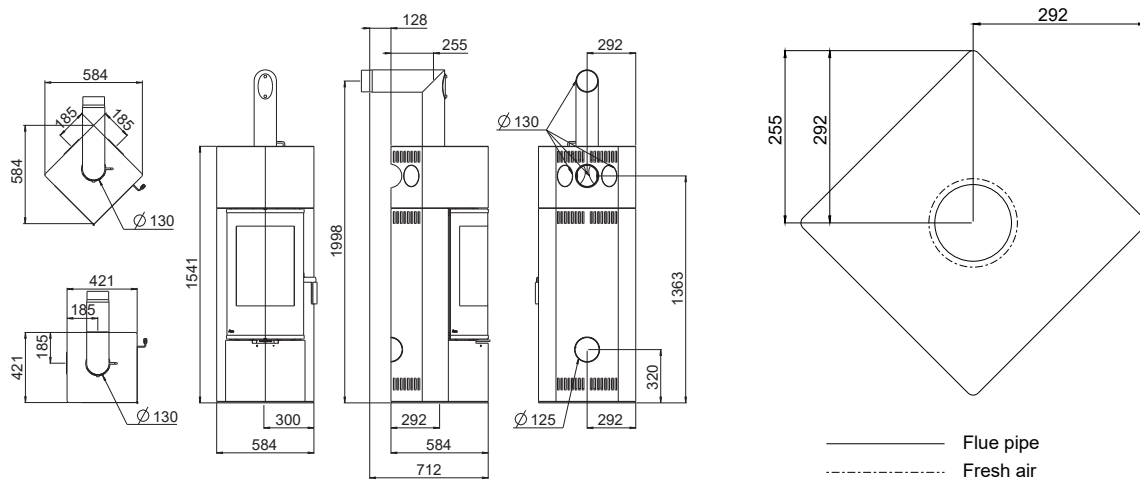
Energy efficiency

Accessories



Fresh air floor connection

Chimney connection



Dimensions

Height	[mm]	1541
Width	[mm]	421
Corpus depth	[mm]	421
Width diagonal	[mm]	584
Corpus depth diagonal	[mm]	584

Weight

Weight with steelshell	[kg]	~150
------------------------	------	------

Flue pipe connection

Flue pipe outlet	[mm]	130
Original angle pipe connection height	[mm]	1998
Original angle pipe total depth	[mm]	712
Original angle pipe distance to rear wall	[mm]	128
Deapth from rear wall to middle of flue pipe	[mm]	255
Original angle pipe side distance	[mm]	292
Rear connection height	[mm]	1363
Rear connection side distance	[mm]	185

Fresh air connection

Diameter	[mm]	125
Connection height	[mm]	320
Side distance	[mm]	292
Floor connection side distance	[mm]	292
Floor connection depth	[mm]	292

Safety distances

Note

- To non-combustible objects
a > 40 cm b > 10 cm
- To combustible objects and reinforced concrete load-bearing walls
a > 80 cm b > 15 cm

