

Data sheet

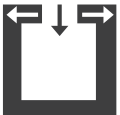
FOX II



Technical data

Nominal heat output	[kW]	8
Partial heat output	[kW]	4
Room heating capacity (depending on house insulation)	[m ³]	90 - 210
Fuel consumption	[kg/h]	1,1 - 2,2
Efficiency	[%]	85,7
Energy efficiency class		A+
Chimney draft requirement	[Pa]	12

Characteristics



Balanced flue

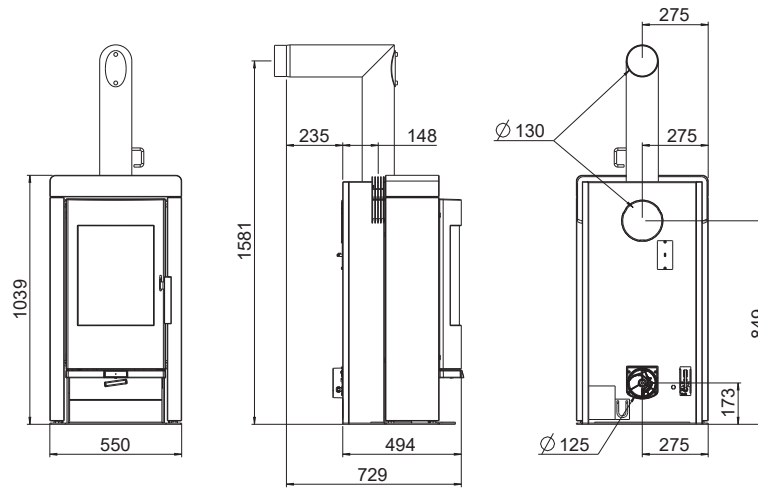


RLS system



Energy efficiency

Chimney connection



Dimensions

Height	[mm]	1039
Width	[mm]	550
Corpus depth	[mm]	494

Weight

Weight without stones	[kg]	~150
Weight with stones	[kg]	~260
Thermal mass	[kg]	~120

Flue pipe connection

Flue pipe outlet	[mm]	130
Original angle pipe connection height	[mm]	1581
Original angle pipe total depth	[mm]	729
Original angle pipe distance to rear wall	[mm]	235
Depth from rear wall to middle of flue pipe	[mm]	148
Original angle pipe side distance	[mm]	275
Rear connection height	[mm]	849
Rear connection side distance	[mm]	275

Fresh air connection

Diameter	[mm]	125
Connection height	[mm]	173
Side distance	[mm]	275

Safety distances

Note

1. To non-combustible objects
 $a > 40$ cm $b > 10$ cm
2. To combustible objects and reinforced concrete load-bearing walls
 $a > 80$ cm $b > 20$ cm

