

# Data sheet

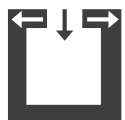
## FOX II RIKATRONIC3



### Technical data

Nominal heat output	[kW]	8
Partial heat output	[kW]	4
Room heating capacity (depending on house insulation)	[m <sup>3</sup> ]	90 - 210
Fuel consumption	[kg/h]	1,1 - 2,2
Electric supply	[V/Hz.]	230/50
Average electrical input	[W]	4
Fuse	[A]	2,5
Efficiency	[%]	85,7
Energy efficiency class		A+
Chimney draft requirement	[Pa]	12

### Characteristics



Balanced flue



RIKATRONIC3

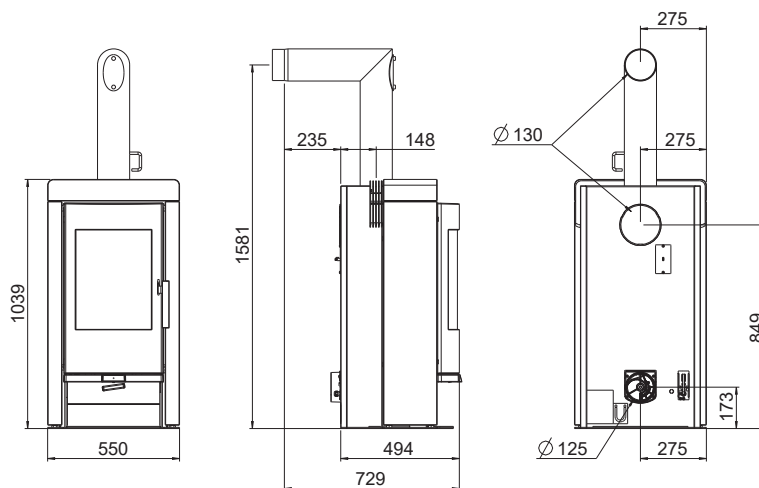


RLS system



Energy efficiency

## Chimney connection



### Dimensions

Height	[mm]	1039
Width	[mm]	550
Corpus depth	[mm]	494

### Weight

Weight without stones	[kg]	~150
Weight with stones	[kg]	~260
Thermal mass	[kg]	~120

### Flue pipe connection

Flue pipe outlet	[mm]	130
Original angle pipe connection height	[mm]	1581
Original angle pipe total depth	[mm]	729
Original angle pipe distance to rear wall	[mm]	235
Depth from rear wall to middle of flue pipe	[mm]	148
Original angle pipe side distance	[mm]	275
Rear connection height	[mm]	849
Rear connection side distance	[mm]	275

### Fresh air connection

Diameter	[mm]	125
Connection height	[mm]	173
Side distance	[mm]	275

## Safety distances

### Note

- To non-combustible objects  
a > 40 cm b > 10 cm
- To combustible objects and reinforced concrete load-bearing walls  
a > 80 cm b > 20 cm

