

Data sheet

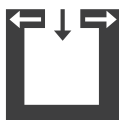
IMPOSA



Technical data

Nominal heat output	[kW]	10
Partial heat output	[kW]	5
Room heating capacity (depending on house insulation)	[m ³]	120 - 260
Fuel consumption	[kg/h]	1,4 - 2,8
Efficiency	[%]	86
Energy efficiency class		A+
Chimney draft requirement	[Pa]	12

Characteristics



Balanced flue

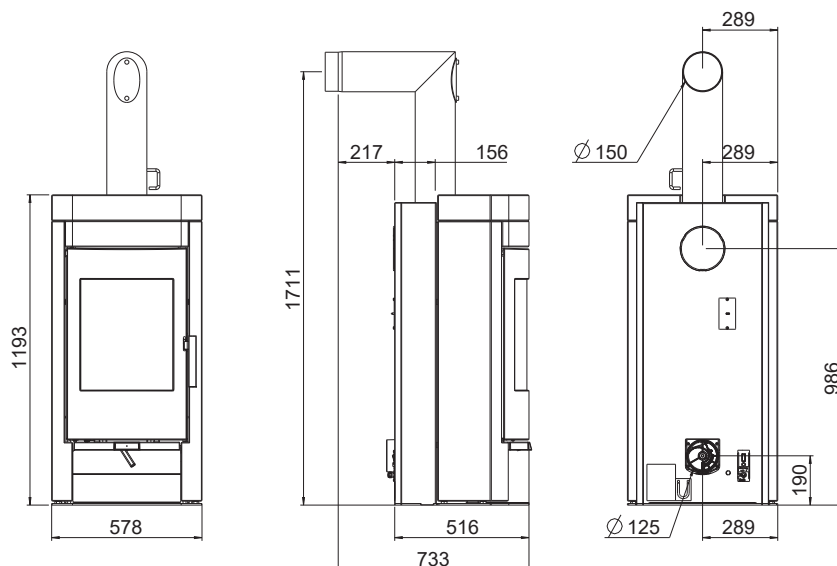


RLS system



Energy efficiency

Chimney connection



Dimensions

Height	[mm]	1193
Width	[mm]	578
Corpus depth	[mm]	516

Weight

Weight without stones	[kg]	~160
Weight with stones	[kg]	~290
Thermal mass	[kg]	~155

Flue pipe connection

Flue pipe outlet	[mm]	150
Original angle pipe connection height	[mm]	1711
Original angle pipe total depth	[mm]	733
Original angle pipe distance to rear wall	[mm]	217
Deapth from rear wall to middle of flue pipe	[mm]	156
Original angle pipe side distance	[mm]	289
Rear connection height	[mm]	986
Rear connection side distance	[mm]	289

Fresh air connection

Diameter	[mm]	125
Connection height	[mm]	190
Side distance	[mm]	289

Safety distances

Note

- To non-combustible objects
a > 40 cm b > 10 cm
- To combustible objects and reinforced concrete load-bearing walls
a > 80 cm b > 20 cm

