

Data sheet

LOOK



Technical data

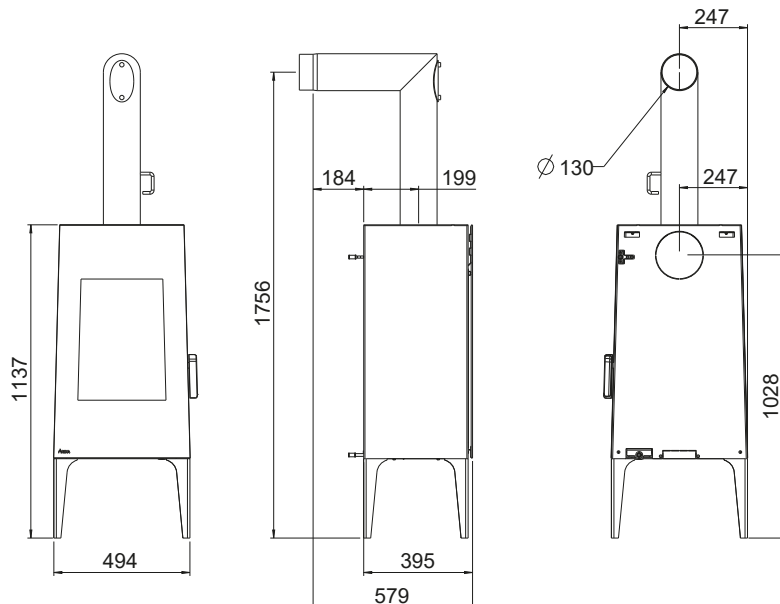
Heating power range	[kW]	4 - 8
Nominal heat output	[kW]	8
Room heating capacity (depending on house insulation)	[m ³]	90 - 210
Fuel consumption	[kg/h]	1,1 - 2,2
Efficiency	[%]	81
Energy efficiency class		A+
Chimney draft requirement	[Pa]	12

Characteristics



Energy
efficiency

Chimney connection



Weight

Weight with steelshell	[kg]	~110
------------------------	------	------

Dimensions

Height	[mm]	1137
Height with wooden bench	[mm]	1241
Width	[mm]	494
Width with wooden bench	[mm]	1500
Corpus depth	[mm]	395

Flue pipe connection

Flue pipe outlet	[mm]	130
Original angle pipe connection height	[mm]	1756
with wooden bench	[mm]	1861
Original angle pipe total depth	[mm]	579
Original angle pipe distance to rear wall	[mm]	184
Deapth from rear wall to middle of flue pipe	[mm]	199
Original angle pipe side distance	[mm]	247
Rear connection height	[mm]	1028
with wooden bench	[mm]	1132
Rear connection side distance	[mm]	247

Safety distances

Note

- To non-combustible objects
 $a > 40 \text{ cm}$ $b > 10 \text{ cm}$
- To combustibile objects and reinforced concrete load-bearing walls
 $a > 80 \text{ cm}$ $b > 15 \text{ cm}$

