

Data sheet

LOOK RIKATRONIC3



Technical data

Nominal heat output	[kW]	8
Partial heat output	[kW]	4
Room heating capacity (depending on house insulation)	[m ³]	90 - 210
Fuel consumption	[kg/h]	1,1 - 2,2
Electric supply	[V]/[Hz]	230/50
Average electrical input	[W]	~4
Fuse	[A]	2,5
Efficiency	[%]	81,3
Energy efficiency class		A+
Chimney draft requirement	[Pa]	12

Characteristics

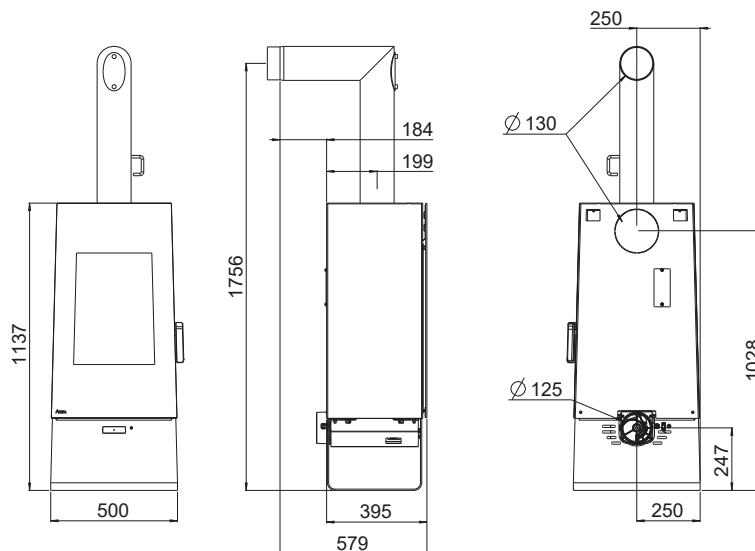


RIKATRONIC3



Energy
efficiency

Chimney connection



Weight

Weight with steelshell	[kg]	~135
------------------------	------	------

Dimensions

Height	[mm]	1137
Width	[mm]	500
Corpus depth	[mm]	395

Flue pipe connection

Flue pipe outlet	[mm]	130
Original angle pipe connection height	[mm]	1756
Original angle pipe total depth	[mm]	579
Original angle pipe distance to rear wall	[mm]	184
Depth from rear wall to middle of flue pipe	[mm]	199
Original angle pipe side distance	[mm]	250
Rear connection height	[mm]	1028
Rear connection side distance	[mm]	250

Fresh air connection

Diameter	[mm]	125
Connection height	[mm]	247
Side distance	[mm]	250

Safety distances

Note

- To non-combustible objects
a > 40 cm b > 10 cm
- To combustible objects and reinforced concrete load-bearing walls
a > 80 cm b > 15 cm

