

# Data sheet

## ROCO RAO



### Technical data

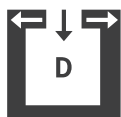
Heating power range	[kW]	2,5 - 8
Nominal heat output	[kW]	8
Room heating capacity (depending on house insulation)	[m <sup>3</sup> ]	50 - 220
Fuel consumption	[kg/h]	0,6 - 1,9
Pellet container capacity*	[l/kg]	51/-33
Electric supply	[V]/[Hz]	230/50
Average electrical input	[W]	20
Fuse	[A]	2,5
Efficiency	[%]	90,4
Energy efficiency class		A+
Chimney draft requirement	[Pa]	3

\*The capacity in kg may deviate due to different pellet bulk densities.

### Characteristics



Top flue pipe connection



Balanced flue



Touch display



USB



Quiet



Energy efficiency

### Accessories



RIKA FIRENET

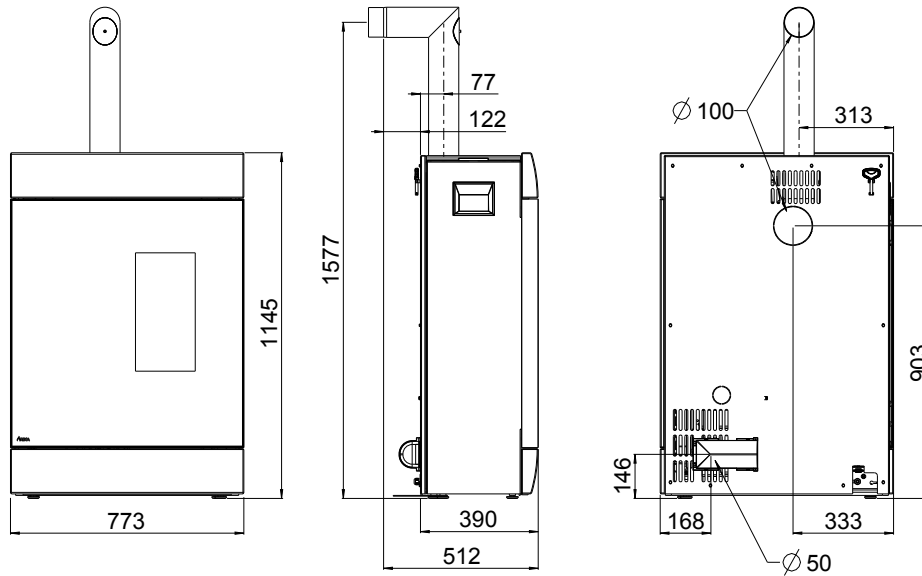


RIKA VOICE



Room sensor

## Chimney connection



### Dimensions

Height	[mm]	1145
Width	[mm]	773
Corpus depth	[mm]	390

### Weight

Weight without stones	[kg]	~205
Weight with stones	[kg]	~235

### Flue pipe connection

Flue pipe outlet	[mm]	100
Original angle pipe connection height	[mm]	1577
Original angle pipe total depth	[mm]	512
Original angle pipe distance to rear wall	[mm]	122
Deapth from rear wall to middle of flue pipe	[mm]	77
Original angle pipe side distance	[mm]	313
Rear connection height	[cm]	903
Rear connection side distance	[cm]	333

### Fresh air connection

Diameter	[mm]	50
Connection height	[mm]	146
Side distance	[mm]	168
(*) Connection height	[cm]	33(*)
(*) Side distance	[cm]	20(*)
till serial number (*)		1325148

## Safety distances

Note

- To non-combustible objects  
a > 40 cm, b > 10 cm
- To combustible objects and reinforced concrete load-bearing walls  
a > 80 cm, b > 10 cm
- to open the sliding door  
b > 43cm

