

Data sheet

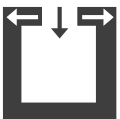
SOL



Technical data

Nominal heat output	[kW]	8
Partial heat output	[kW]	4
Room heating capacity (depending on house insulation)	[m ³]	90 - 210
Fuel consumption	[kg/h]	1,1 - 2,2
Efficiency	[%]	83,2
Energy efficiency class		A+
Chimney draft requirement	[Pa]	12

Characteristics



Balanced flue

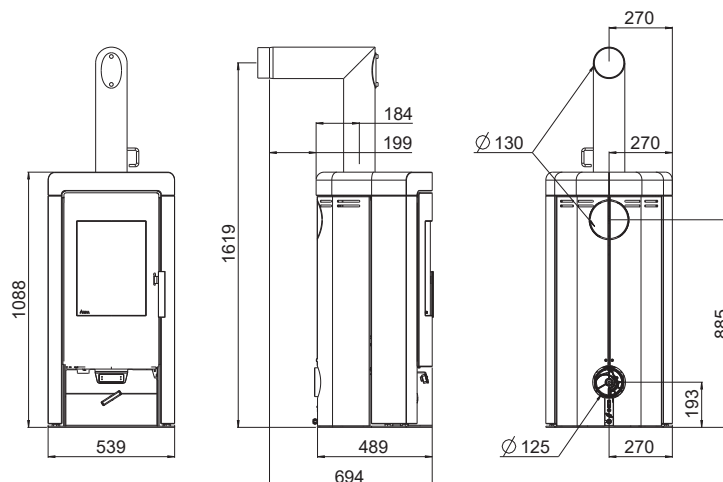


RLS system



Energy efficiency

Chimney connection



Dimensions

Height	[mm]	1088
Width	[mm]	539
Corpus depth	[mm]	489

Weight

Weight without stones	[kg]	~120
Weight with stones	[kg]	~195
Thermal mass	[kg]	~90

Flue pipe connection

Flue pipe outlet	[mm]	130
Original angle pipe connection height	[mm]	1619
Original angle pipe total depth	[mm]	694
Original angle pipe distance to rear wall	[mm]	199
Deapth from rear wall to middle of flue pipe	[mm]	184
Original angle pipe side distance	[mm]	270
Rear connection height	[mm]	885
Rear connection side distance	[mm]	270

Fresh air connection

Diameter	[mm]	125
Connection height	[mm]	193
Side distance	[mm]	270

Safety distances

Note

- To non-combustible objects
a > 40 cm b > 10 cm
- To combustible objects and reinforced concrete load-bearing walls
a > 80 cm b > 20 cm

