

SUMO

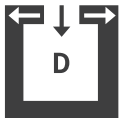


Technical data

Heating power range	[kW]	2,7 - 9
Nominal heat output	[kW]	9
Room heating capacity (depending on house insulation)	[m ³]	50-240
Fuel consumption	[kg/h]	0,6-2,1
Pellet container capacity*	[l/kg]	69/~45
Electric supply	[V]/[Hz]	230/50
Average electrical input	[W]	20
Fuse	[A]	2,5
Efficiency	[%]	90,8
Energy efficiency class		A+
Energy efficiency index		122
Chimney draft requirement	[Pa]	3

*The capacity in kg may deviate due to different pellet bulk densities

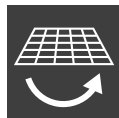
Characteristics



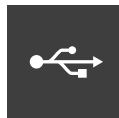
Balanced flue



Touch display



Tipping grate
ash removal



USB



Quiet



Energy
efficiency

Accessories



RIKA firenet



RIKA Voice

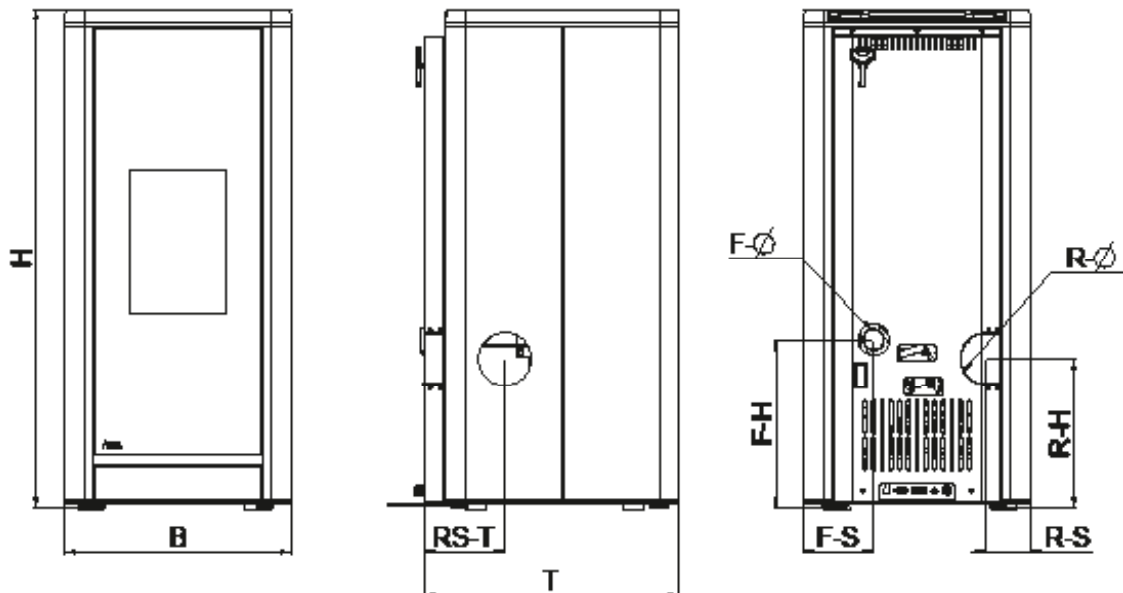


Room sensor



GSM control

Chimney connection



Dimensions

H - Height	[mm]	1148
B - Width	[mm]	520
T - Corpus depth	[mm]	585

Weight

Weight without shell	[kg]	~170
Weight with aluminium shell	[kg]	~180

Flue pipe connection

R - Ø Flue pipe outlet	[mm]	100
RO - H Connection height	[cm]	-
RO - T1 Original angle pipe total depth	[cm]	-
RO - T2 Original angle pipe distance to rear wall	[cm]	-
RO - T3 Depth from rear wall to middle of flue pipe	[cm]	-
RO - S Top connection - side Distance	[cm]	-
R - H Rear connection height	[cm]	36
R - S Rear connection side distance	[cm]	10
RS - T Depth to lateral connection	[cm]	8

Fresh air connection

F - Ø Diameter	[mm]	50
F - H Connection height	[cm]	39
F - S Side distance	[cm]	16

Safety distances

Note

- To non-combustible objects
a > 40 cm b > 10 cm
- To combustible objects and reinforced concrete load-bearing walls
a > 80 cm b > 10 cm

