

SUMO MULTIAIR



Technical data

Heating power range	[kW]	2,7 - 9
Nominal heat output	[kW]	9
MultiAir-Output*	[kW]	1,0-2,5
MultiAir-Air volume*	[m ³ /h]	65-95
Room heating capacity (depending on house insulation)	[m ³]	50-240
Fuel consumption	[kg/h]	0,6-2,1
Pellet container capacity**	[l/kg]	56/~37
Electric supply	[V]/[Hz]	230/50
Average electrical input	[W]	20
Fuse	[A]	2,5
Efficiency	[%]	90,8
Energy efficiency class		A+
Energy efficiency index		122
Chimney draft requirement	[Pa]	3

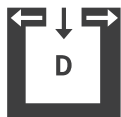
*with a two meter MultiAir line in combination with RIKA design outlet, values may differ in practice.

**The capacity in kg may deviate due to different pellet bulk densities.

Characteristics



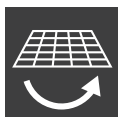
MultiAir



Balanced flue



Touch display



Tipping grate
ash removal



USB



Quiet



Energy
efficiency

Accessories



RIKA firenet

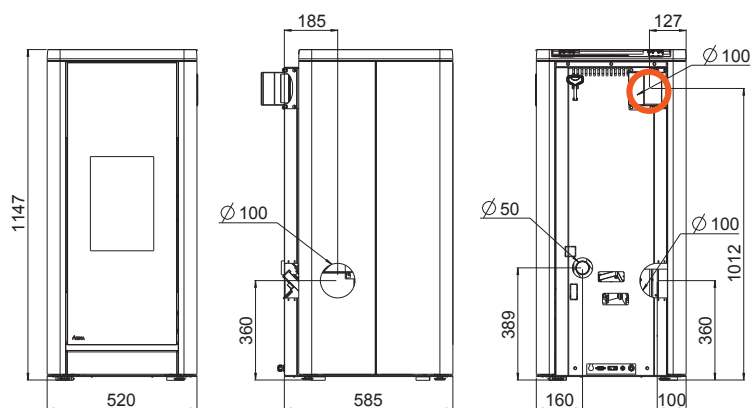


RIKA Voice



Room sensor

Chimney connection



Dimensions

Height	[mm]	1148
Width	[mm]	520
Depth	[mm]	585

Weight

Weight without shell	[kg]	175
Weight with shell in aluminium	[kg]	185
Weight with glass / slate / decor effect panel	[kg]	200

Flue pipe connection

Diameter	[mm]	100
Connection height	[mm]	-
Original angle pipe total depth	[mm]	-
Original angle pipe distance to rear wall	[mm]	-
Depth from rear wall to middle of flue pipe	[mm]	-
Original angle pipe side distance	[mm]	-
Rear connection height	[mm]	360
Rear connection side distance	[mm]	100
Depth to lateral connection	[mm]	80

Fresh air connection

Diameter	[mm]	50
Connection height	[mm]	389
Side distance	[mm]	160

Convection air connection

Diameter	[mm]	100
Connection height	[mm]	1012
Side distance	[mm]	127

Safety distances

Note

- To non-combustible objects
a > 40 cm b > 10 cm
- To combustible objects and reinforced concrete load-bearing walls
a > 80 cm b > 10 cm

